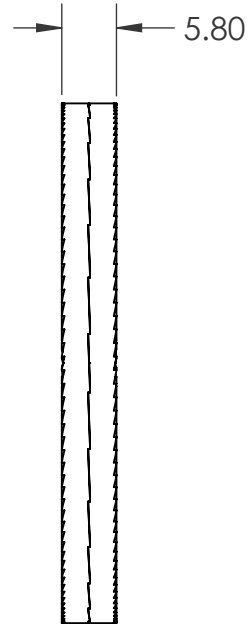
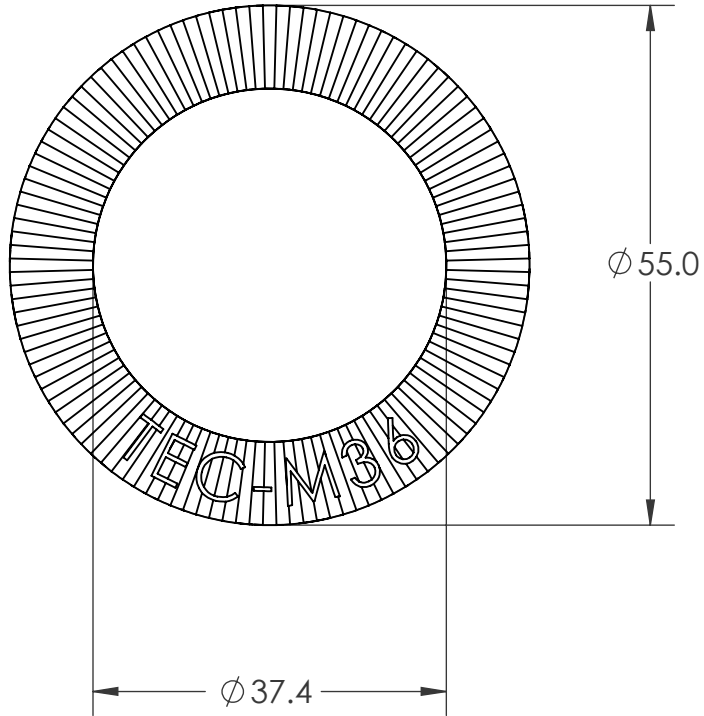



REVISIONS			
REV.	DESCRIPTION	DATE	ECN
A	INITIAL RELEASE	11/13/17	2847
B	MATERIAL UPDATE	7/12/2018	3056



PROPRIETARY AND CONFIDENTIAL
 THIS DRAWING, AND THE INFORMATION CONTAINED HEREIN, ARE THE PROPERTY OF SHEREX AND ARE NOT TO BE USED IN ANY MANNER DETRIMENT TO THE INTEREST OF THE COMPANY.
 SHEREX FASTENING SOLUTIONS RESERVES THE RIGHT TO REVISE PART/DRAWING WITHOUT NOTICE.

DRAWING NO.:
TEC-M36

UNLESS OTHERWISE SPECIFIED:		NAME	DATE	 TECSERIES <small>A SHEREX FASTENING SOLUTIONS® MARKET</small>
DIMENSIONS ARE IN MILLIMETERS TOLERANCES: ANGULAR: MACH ±1 BEND ±1 I.D. TOLERANCE: ±0.2 O.D. TOLERANCE: ±0.3 THICKNESS TOLERANCE: ±0.25		DRAWN	MTB	
INTERPRET GEOMETRIC TOLERANCING PER: ASME Y14.5M-1994		ENG APPR.	JVK	11/13/17
MATERIAL SCM435 OR 4130 STEEL, HT: THROUGH HARDEN 465 HV MIN		MFG APPR.		
FINISH DELTA PROTEKT BASE COAT (KL100) & TOP COAT (VH302GZ)		Q.A.		
DO NOT SCALE DRAWING		COMMENTS: E-mail: info@disc-lock.com www.disc-lock.com Phone: 866-474-3739 Fax: 716-875-0358		DESCRIPTION: TEC WASHER GLUED PAIR 36MM
		SIZE	PART NO.:	REV
		A	TEC-M36	B
		SCALE: 2:1	WEIGHT:	SHEET 1 OF 1